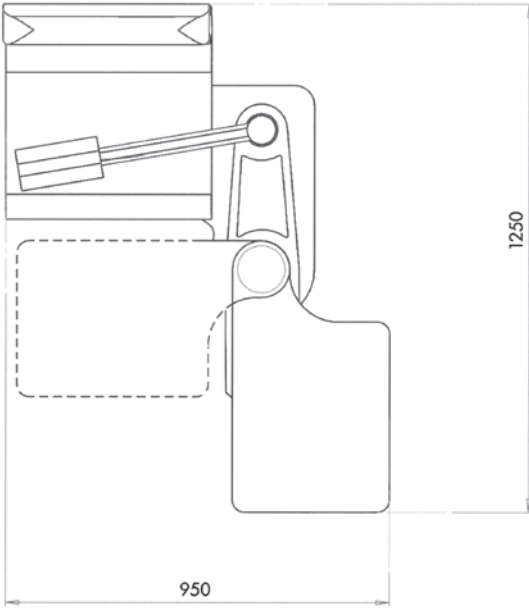


YURATEK



**YRT-1000**

A Professional Approach to Refraction Units...



- 1 Unit Body
- 2 Fixed Table
- 3 Aluminium Column
- 4 Phoropter Arm
- 5 Projector Support
- 6 Lamp



### TECHNICAL SPECIFICATIONS

Fixed Table Movement	90°
Manuel Phoropter Arm	Optional
Safety Switch	Standard
Table Carriage Capacity	20 kg.
Power Input Voltage	220 V. 50 Hz. 110 Ac. 60 Hz.
Table Output Voltage	220 V. 50 Hz. 110 Ac. 60 Hz.

### COMPLY TO THE DIRECTIVES

93/42/CEE and following modifications



**YRT-1000**



### YURATEK LTD. STİ.

İvedik Organize Sanayi Bölgesi 692. Sk. No: 4  
 Ostim - ANKARA - TURKEY  
 Tel : +90.312 395 29 96 • Fax : +90.312 395 29 97  
[www.yuratek.com](http://www.yuratek.com)